

The General-Specific Dining Table

SUPPLEMENTAL INFORMATION & DIMENSIONAL DRAWINGS



f o u r e y e s

Copyright © 2021 – Thickni, LLC

These plans are intended for personal use only. No part of these plans may be reproduced or transmitted in any way without prior written consent of the publisher.

IMPORTANT NOTE:

Watch this video - <https://youtu.be/GuBXYHIUUag>

These instructions are meant to supplement the video. Not to act as a stand alone set of plans.

LINK TO LEGS - <http://bit.ly/Semi-Exact-SpiderLegs>

These instructions are based off of the Spider Table Legs

Welcome...

and thank you for downloading plans for the Generally-Specific Dining Table! We're beyond excited to be sharing these plans and designs with you, and we hope that you're equally enthused about building them.

Now, if you're anything like me, and you hate reading, then there are few things you dread more than being at the top of page 2 of a multi-page document. Well good news! As you scroll through this document, you'll notice that the vast majority of it is dimensional drawings...AKA...Pictures!

And really, it's those dimensional drawings that will supplement the video, to do most of the heavy lifting here. That said, there are a few things we think are important to talk about before you get to building. So please, bare with us and keep reading.

Safety First

Woodworking can be dangerous. Regardless of how experienced you are, or how many times you've performed a particular cut, accidents can happen. So always do everything you possibly can to prevent those accidents from happening.

That includes, but is not limited to: Understanding your equipment, using it properly, wearing protective gear, utilizing safety guards, and not performing any techniques that you are not comfortable with.

There's almost always more than one way to get any job done. So if you ever feel uncomfortable or unsure about any procedure...don't do it! Stop and research it.

Disclaimer - The information contained within these plans/videos is for your general information only. In no event will we be liable for any loss, damage, or injury arising from the use of information presented.

About These Plans

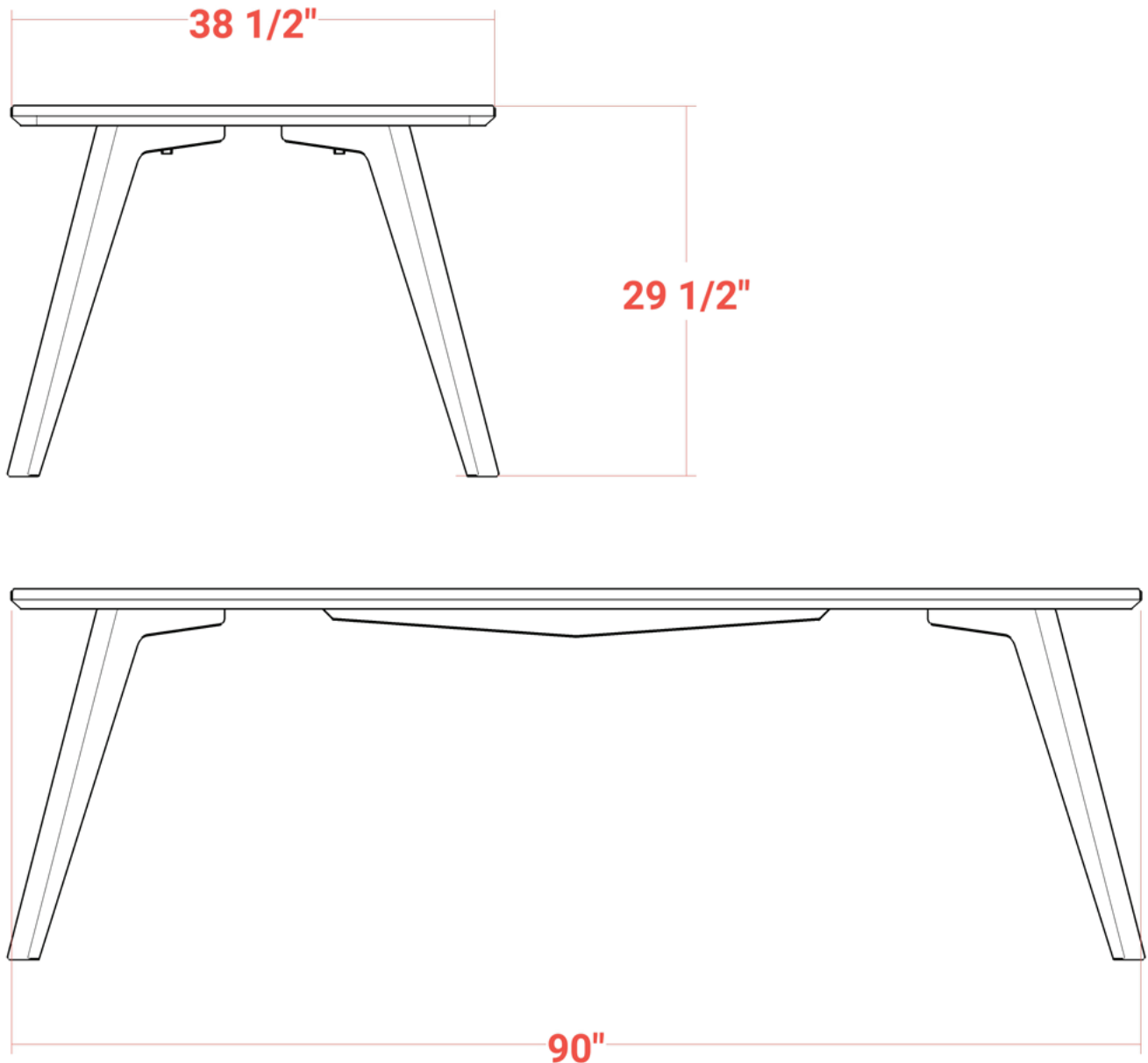
This project is essentially a shorter, simpler version of what our normal paid plans are. Those plans contain:

- About 15-20 video chapters + appendix chapters for general woodworking skills such as milling and panel making.
- A longer instructional packet (this packet) with more detailed drawings and links.
- PDF and SVG files for producing templates (when applicable)
- Options to purchase MDF templates (when applicable)
- And More!

If you're looking to take your woodworking to the next level, and want to have an awesome project as a result...our plans will help you to do that. If you want to check those out head to:

<https://www.foureyesfurniture.com/plans>

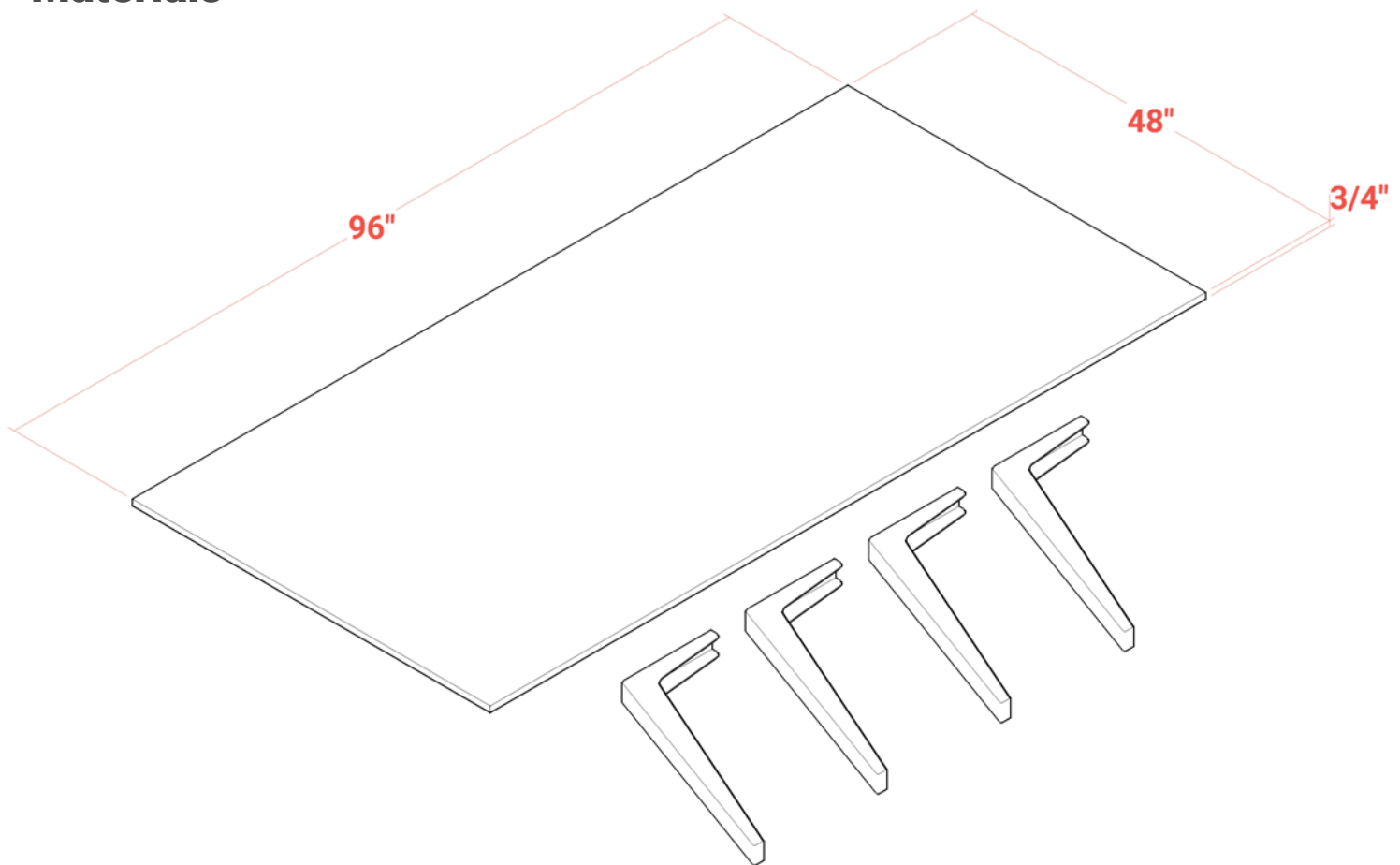
Overall Dimensions



Note on Adjusting Dimensions

I built this table to be as large as I could get it using 1 sheet of 8' x 4' x 3/4" plywood. Adjusting the dimensions should be a pretty straight forward customization. The important things to keep track of, as described in the video, are things like order of operation and referential measurements.

Materials



The only materials needed to complete this project are one 4 x 8 sheet of 3/4 inch thick plywood and a set of 4 NAME legs from Semi Exact.

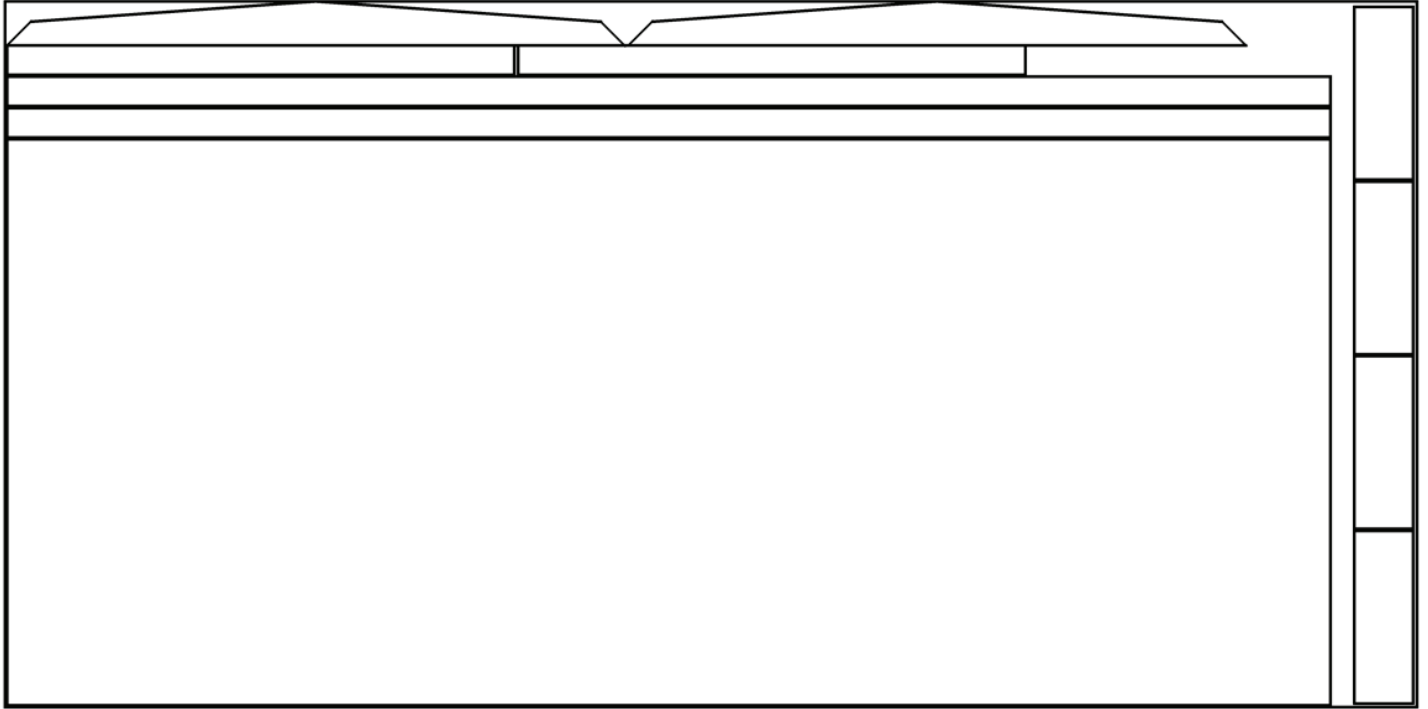
LINK -

Tools

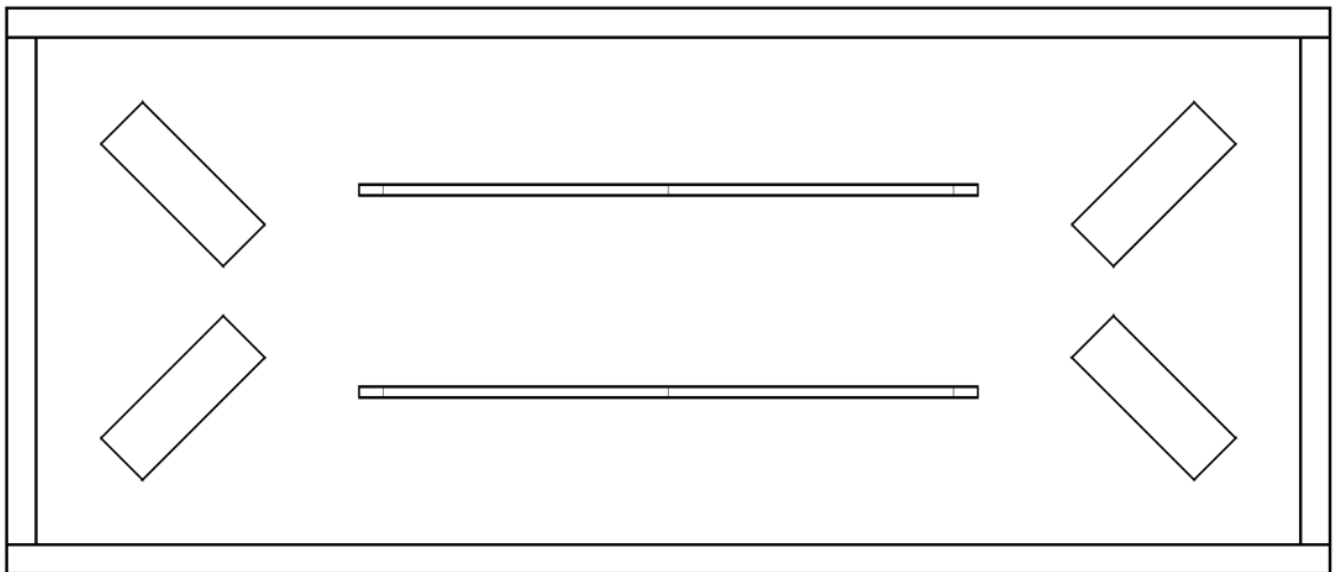
This project can be built with a circular saw, drill, and a sander. Options for other workflows are also demonstrated in the video.

Plywood Breakdown

Nested Pieces



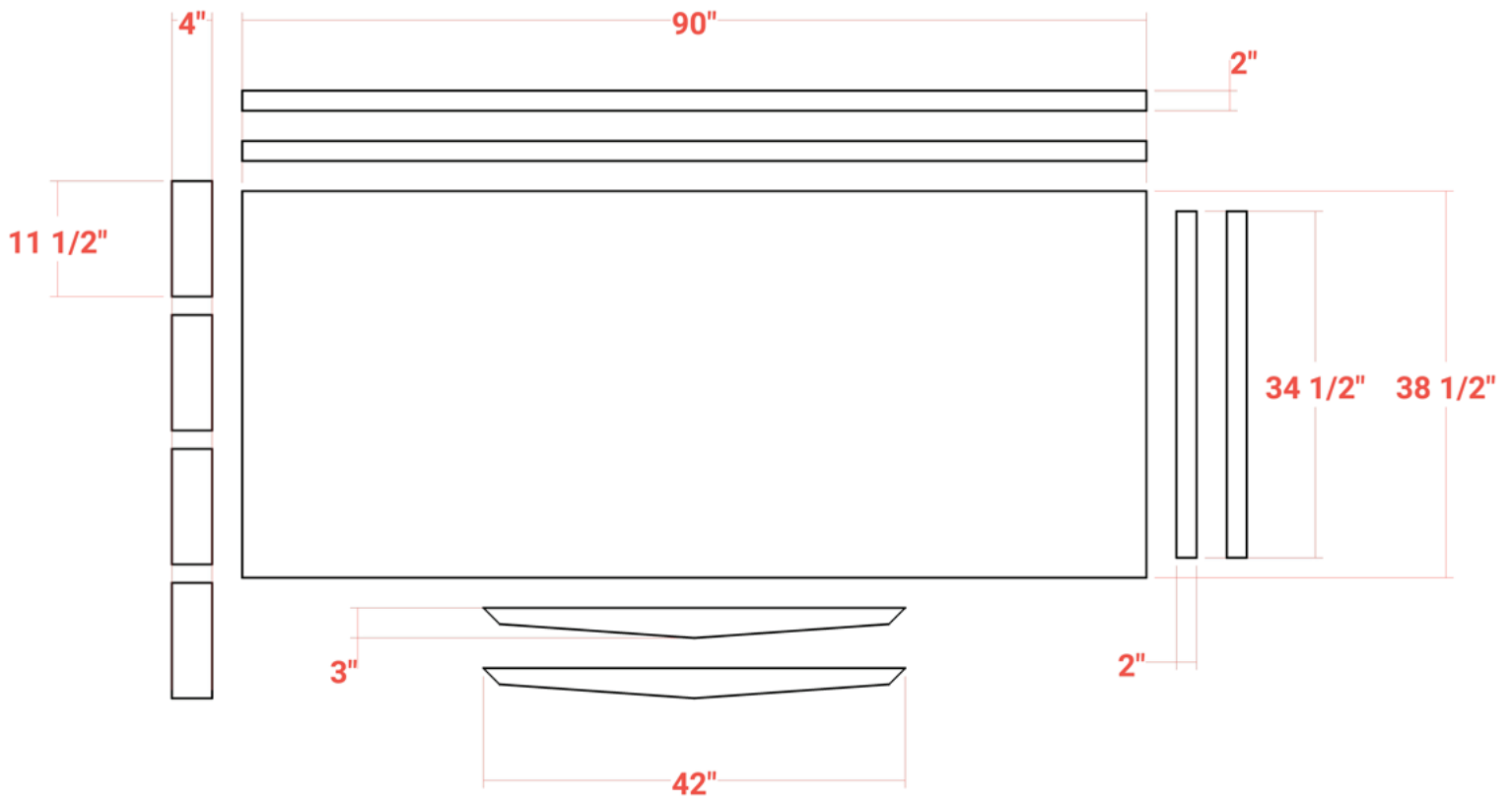
Underside of Assembled Top



In the video we do a step-by-step order of operations to yield your pieces that will give you the best result with the fewest amount of cuts.

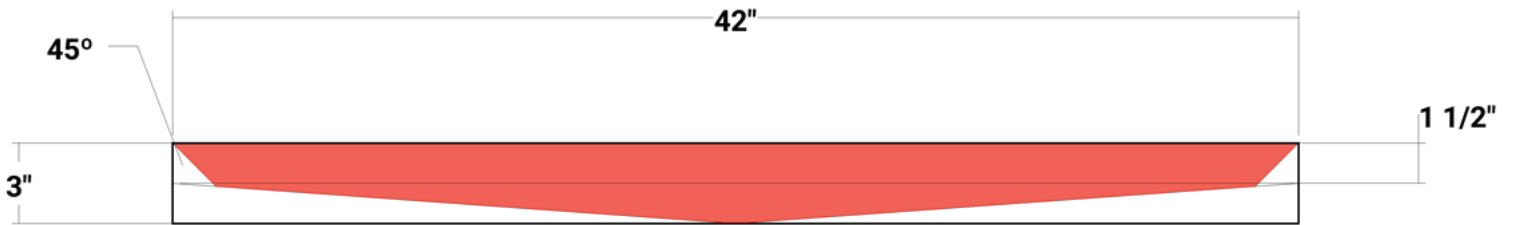
Finished Piece Dimensions*

- Table Top : **90 x 38 1/2**
- Long Perimeter Pieces (2) : **90 x 2**
- Short Perimeter Pieces (2) : **34 1/2 x 2**
- Belly Support Pieces (2) : **42 x 3**
- Leg Spacers (4) : **11 1/2 x 4**



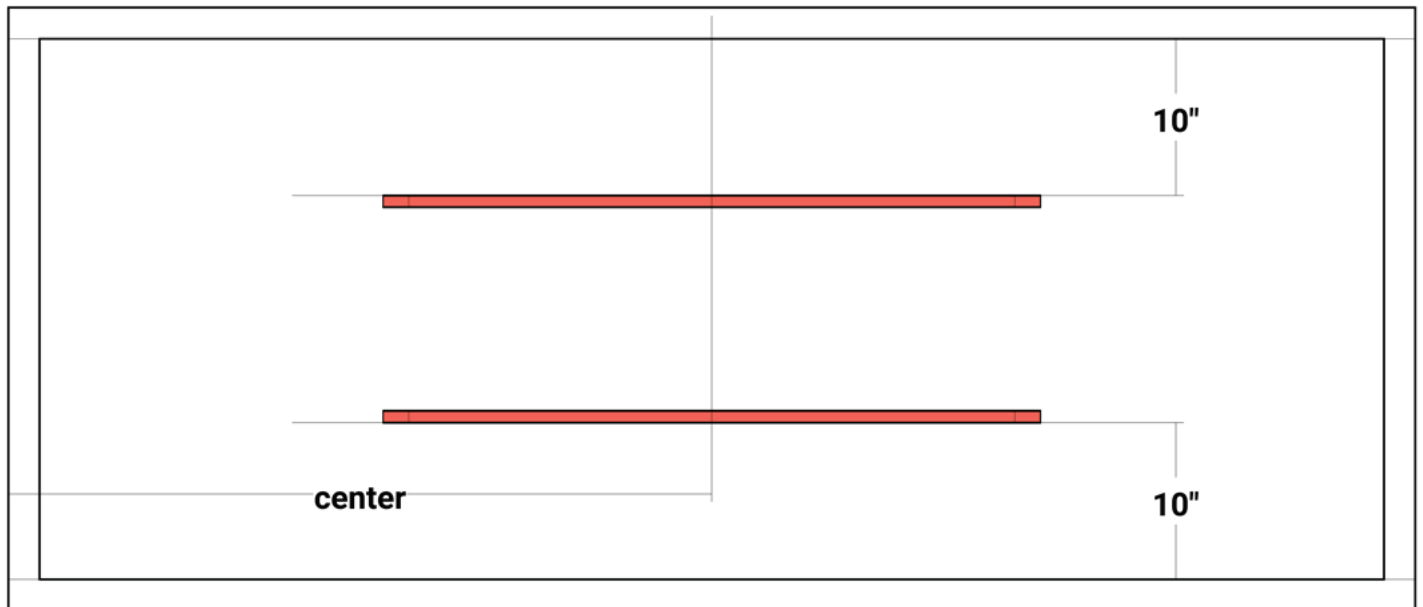
* I highly recommend NOT blindly going off of these dimensions. As one misstep will throw off the rest of the project. These dimensions are all theoretical, and in reality you should base your cuts off of referential measurements from your actual workpiece

Belly Support Stretchers

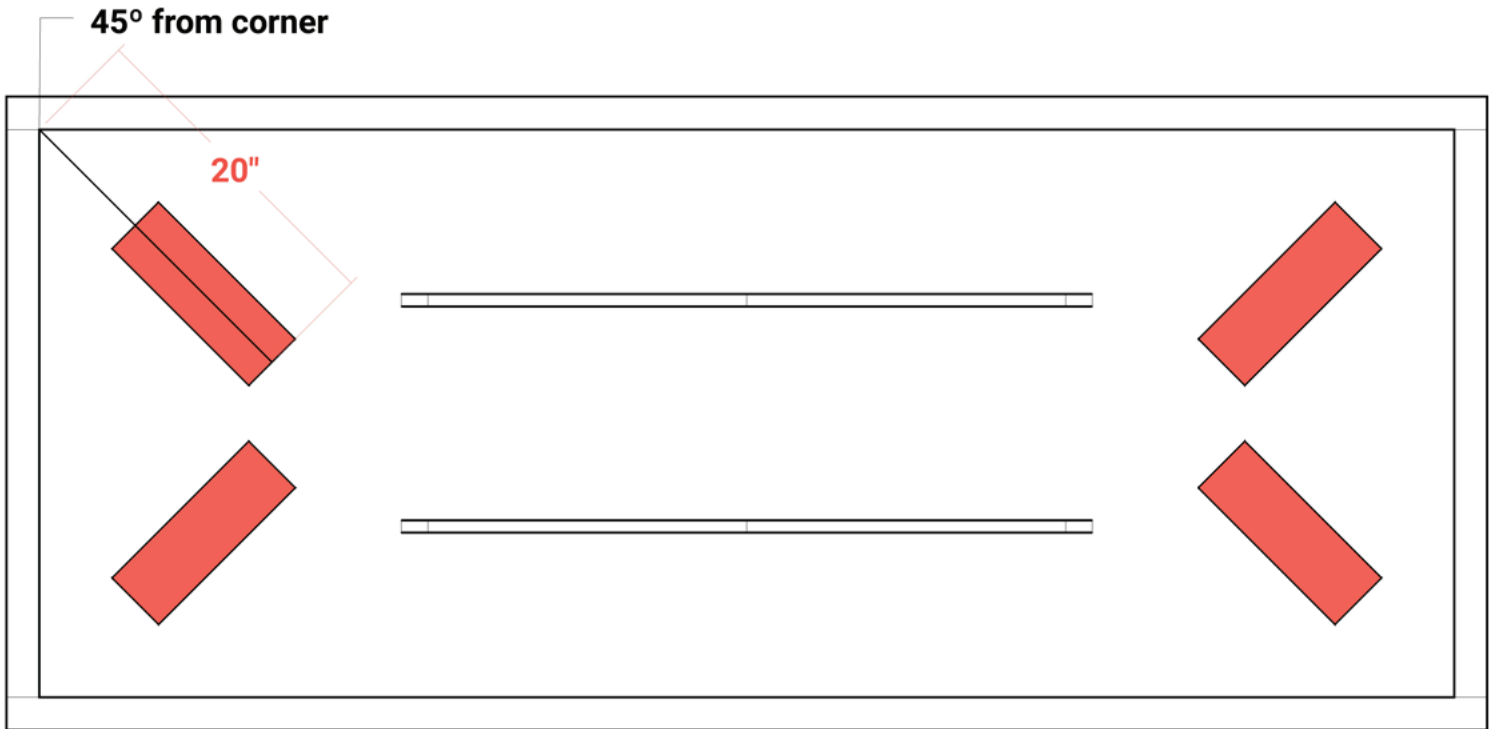


This shape is purely aesthetic. If you prefer to leave it as a 42x3 inch rectangle, that will work.

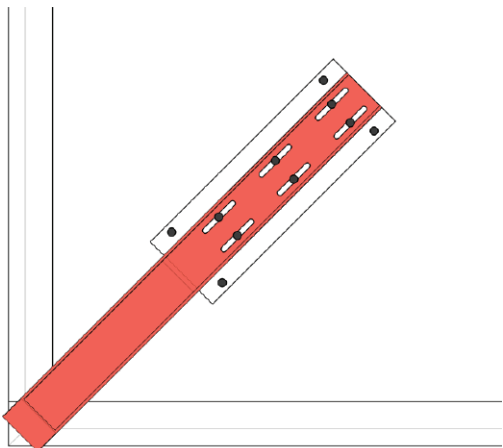
Belly Support Placement



Leg Spacer Placement



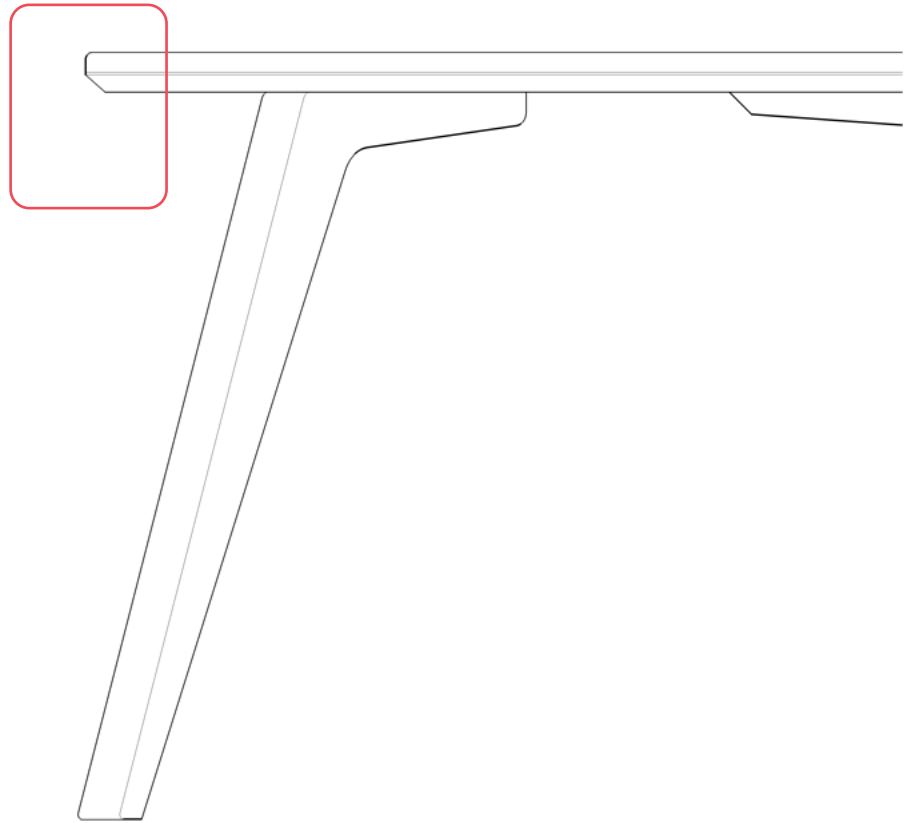
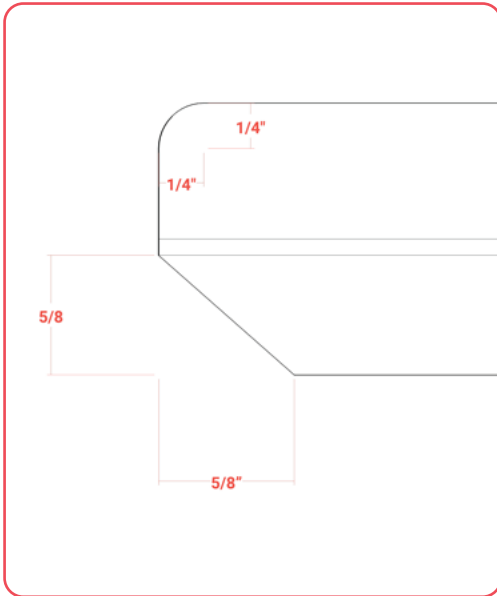
Position your leg spacer blocks (and legs) by drawing a line at 45° from the inside corner of where your long and short perimeter pieces meet. Then measure 20" along that line. That is where the front of your leg spacer block will end.



Leg & Leg Spacer Screw Placement

Use 1 1/4" long screws through several of the slots for a secure attachment. I also placed screws through the spacer block and into the underside of the top to help strengthen the attachment with respect to side-to-side racking motion.

Edge Detail



Thank You!

If you enjoyed this information packet and video...and want to see (I'll be honest) way cooler projects. I highly encourage you to check out our plans. Each one is like an entire woodworking course centered around a specific piece. I know you'll love them, and I know they can help you get where you want to be...from a woodworking perspective at least :)

Thanks again!

<https://www.foureyesfurniture.com/plans>